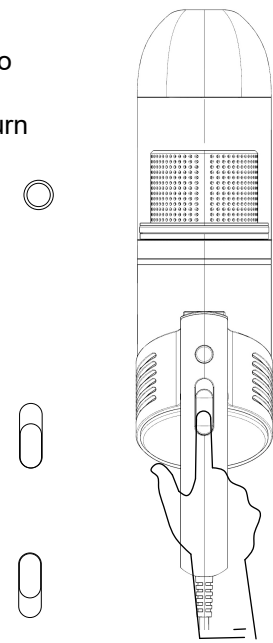


# User's Manual

Vacuum cleaner manual

## 1.LED Switch

Press the switch one time to turn on the light.  
Press the switch again to turn off the light.

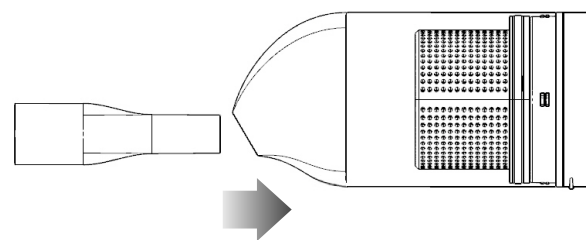


## 2.ON/OFF Button

Switch to ON start suction  
Switch to OFF stop suction

## ACCESSORIES:

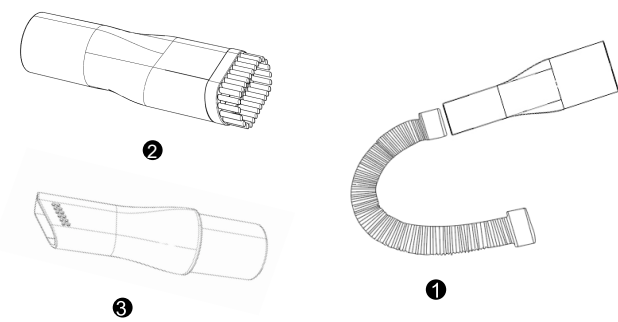
A connector nozzle is used for connecting the air inlet with other nozzles.



Insert the connect nozzle to the air inlet(refer to the picture above)

## 2.Two nozzle connectors and an extension tube included.

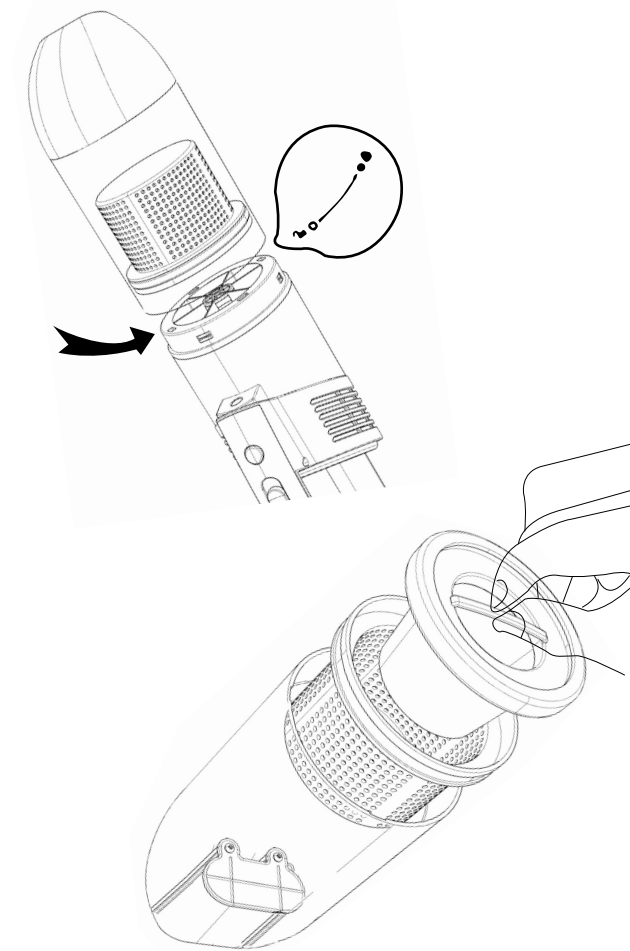
- ① Extension Tube (Designed for har-to-reach areas.)
- ② Brush Nozzle (Designed for vacuuming soft surfaces such as seats, pads, etc.)
- ③ Crevice Nozzle (Designed for precise cleaning around edges and narrow gaps.)



-2-

## CLEANING THE FILTER

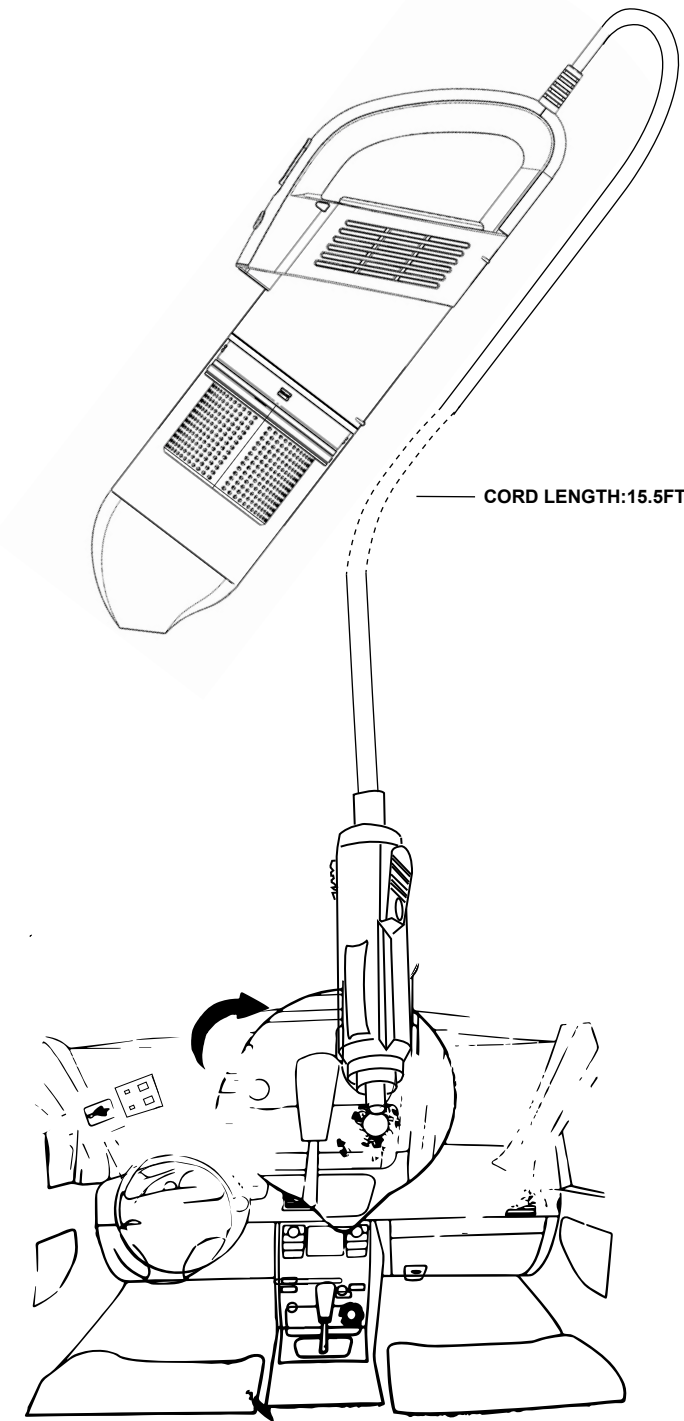
Twist the dust containe to take the filters off , dump the dust then wash the filters.



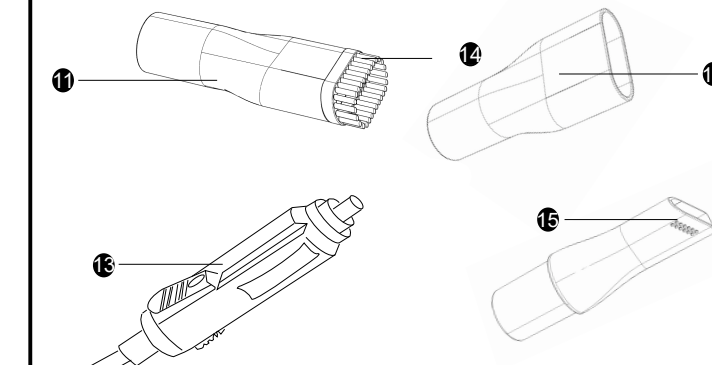
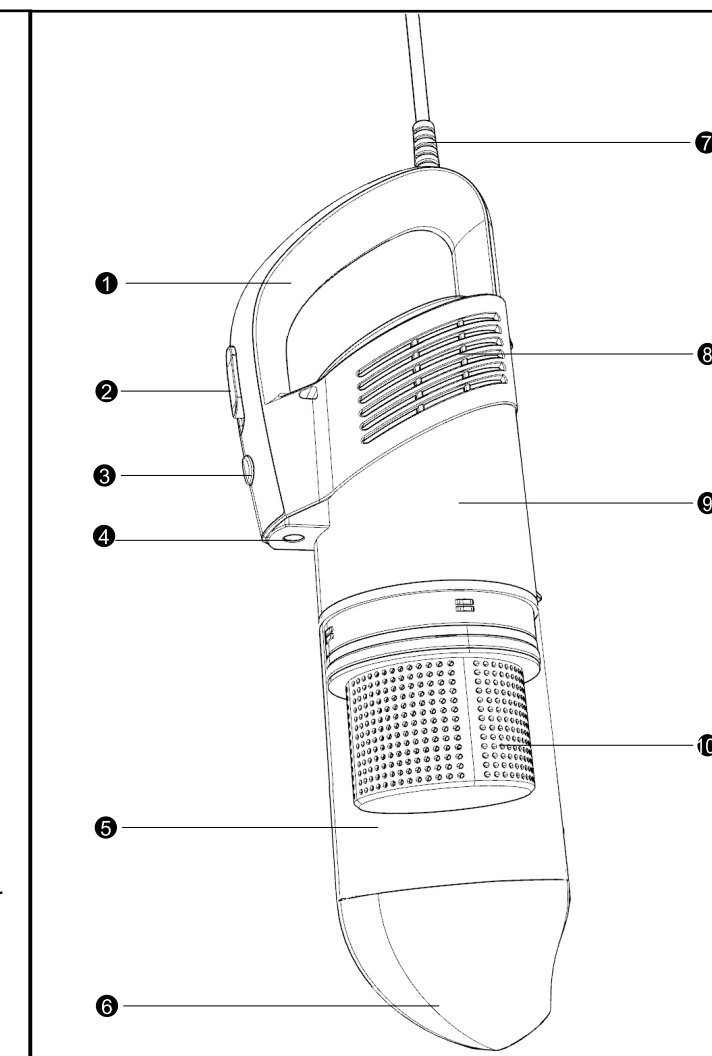
-2-

## VEHICLE POWER SUPPLY

Insert the cigarette lighter into the car cigarette socket to get power. (The car needs to be started when using this appliance)



-3-



- ① Handle
- ② ON/OFF button
- ③ LED Switch
- ④ LED Light
- ⑤ Dust container
- ⑥ Air Inlet
- ⑦ Power cord
- ⑧ Air Outlet
- ⑨ Main Body
- ⑩ Filter
- ⑪ Nozzle Connector
- ⑫ Brush nozzle
- ⑬ Crevice nozzle
- ⑭ Extension Tube
- ⑮ Cigarette Lighter

-4-

## SPECIFICATION

Model No.: TR-32  
Input Voltage: 12-14V (NO MORE THAN 14V)  
Rated Power: 100W  
Rated Voltage: DC12V  
Input Current: ≤10A  
Dust container: 1L

With three layers of filter, HEPA filter available for picking up dry&wet dust. Equipped with LED light.

## SAFETY INSTRUCTION

- 1, Please use this appliance in accordance with the instructions in the User Manual. Users are responsible for any loss or damage that may arise from the improper use of this product.
- 2, Do not use a damaged cord or plug.
- 3, Do not insert any objects into the air outlet. Keep the air outlet free of dust and hair, as those may reduce the suction.
- 4, Do not use this appliance on cars more than DC 14V .
- 5, Never use to pick up flammable or combustible liquids such as gasoline or use in areas where they may be present.
- 6, DO NOT pick up anything that is burning or smoking, such as cigarettes, matches, or hot ashes.
- 7, DO NOT let children use the appliance without adult supervision. This device is not a toy.
- 8, Always unplug after use.
- 9, With any indication of malfunction (including power cord), please stop using the appliance immediately to avoid hazards. Take it to the authorized service center for repair. Do not attempt to dismantle the appliance to repair or change any parts by yourself.

CE FC PS E RoHS LVD  
MADE IN CHINA

-5-

250mm

600mm